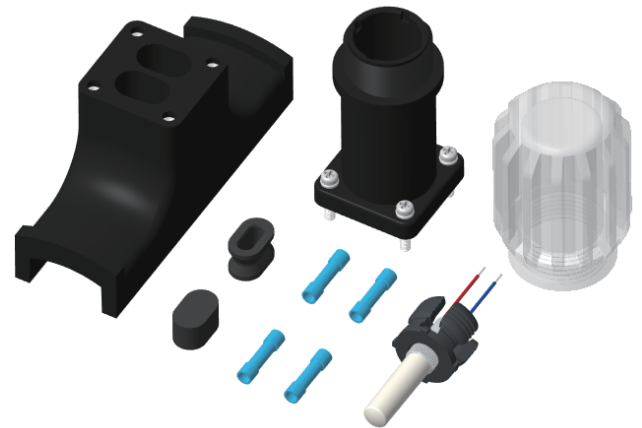


End Seal Lamp

Description

AIES-L is the end seal indicator light system. It is designed for use with FLN, LEP, RGS, MEP heating cables. The light indicates the operation status of the heating cable, and also the position of the end seal. It helps the in-process inspection and the post maintenance to operate efficiently.



Components

- T-Standoff *1
- Grommet *1
- Rubber plug *1
- Lampshade *1
- Lamp Holder *1
- Insulated Terminals *4

Specification

- Rate Voltage : AC110V~277V
- IP Code : IP65
- Minimum Installation Temperature: -30°C
- Minimum Ambient Temperature : -40°C
- Maximum Ambient Temperature: +55°C
- Maximum Pipe Temperature : +180°C

Certification

II 3 G Ex nR IIC Gc
ECM 23 ATEX-B UN12



Dimension

