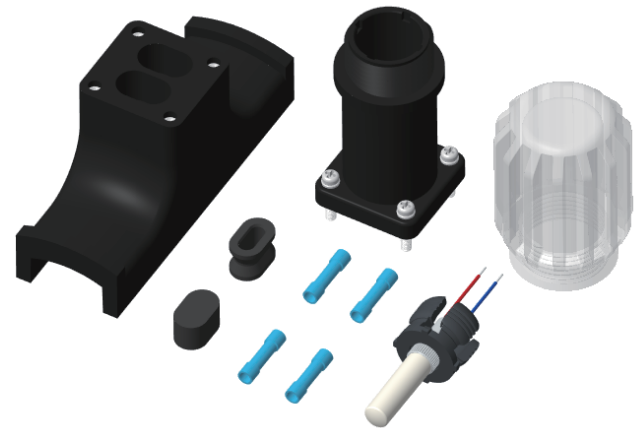


End Seal Lamp

Description

AIES-L is the end seal indicator light system. The light indicates the operation status of the heating cable, and also the position of the end seal. It helps the in-process inspection and the post maintenance to operate efficiently.



Components

- T-Standoff *1
- Grommet *1
- Rubber plug *1
- Lampshade *1
- Lamp Holder *1
- Insulated Terminals *4

Specification

- Rate Voltage : AC110V~277V
- IP Code : IP65
- Minimum Installation Temperature: -30°C
- Minimum Ambient Temperature : -40°C
- Maximum Ambient Temperature: +55°C
- Maximum Pipe Temperature : +180°C

Certification

Explosion-proof Level : Ex nR IIC Gc
 Certification Number : CNEEx20.0706U



Dimension

